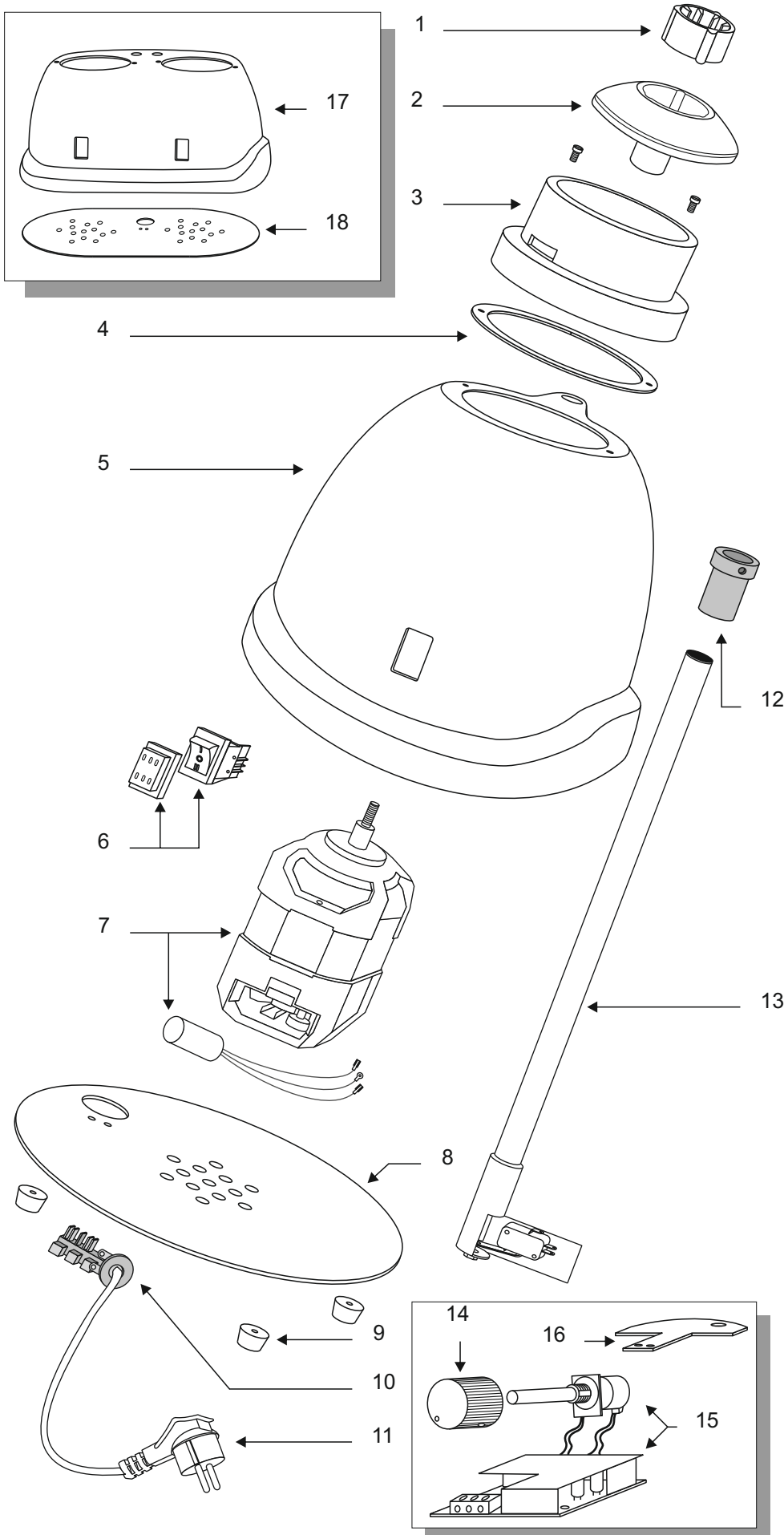


БЛЕНДЕР APACH ABL1P, ABL2P

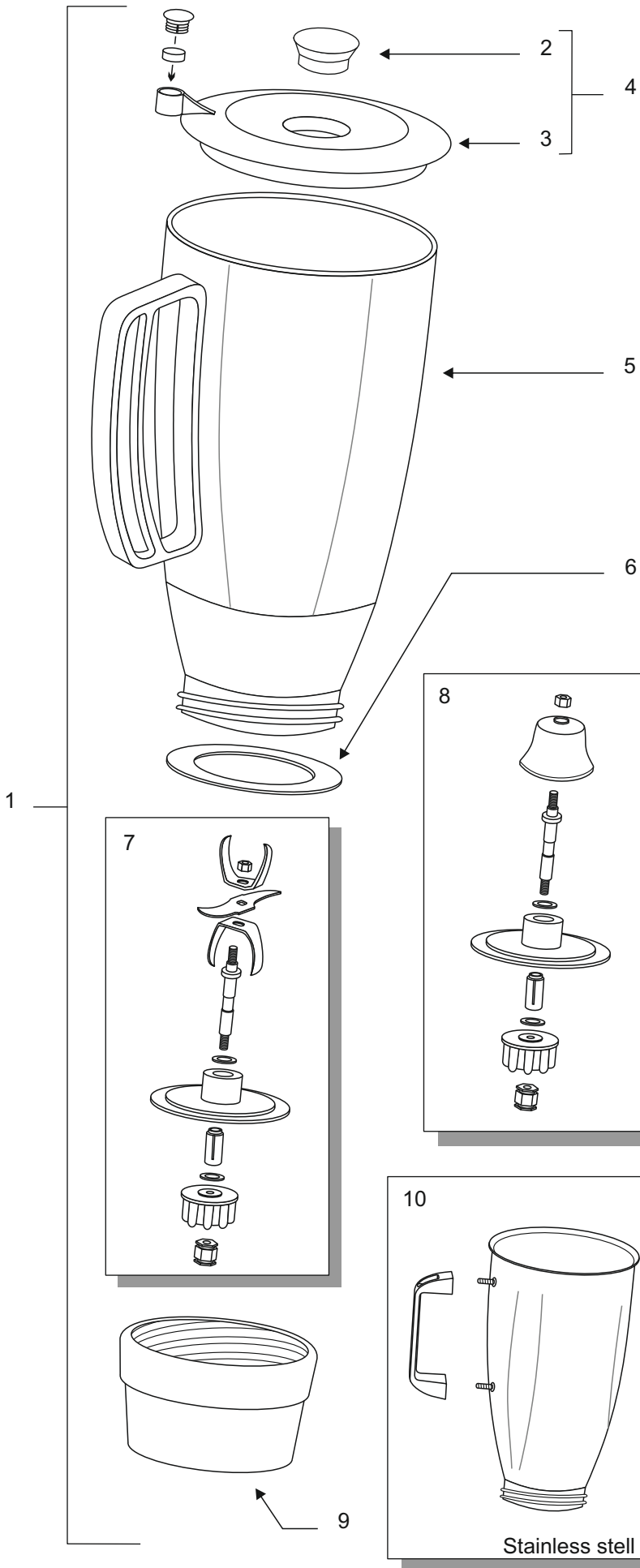


Model		
БЛЕНДЕР APACH ABL1P, ABL2P		

Evol.	Table	Date
1	1/2	06/07/2016

N.	Code	Features
1	C0007F308	
2	C0007F309	
3	C0003F301	
4	C0007F310	
5	C0001F320	
	C0001F320V	/V
6	C00061022	
7	C00061215	230V-50/60Hz
	C000612151	110V-60Hz
8	C0004F331	
9	C00071616	
10	C00061612	
11	C00061517	SHUKO
	C000615171	USA
	C000615172	UK
	C000615173	SWITZERLAND
	C000615174	AUSTRALIA
	C000615175	BRAZIL
12	C0004F353	
13	C0004F357	
14	C0001F345	/V
15	C0006F310	/V
16	C0004M136	/V
17	C0001F325	/D
18	C0004F330	/D

Descriptions	
Available	
Not available	
/D	Double
/V	Continuous variable speeds



Model		
БЛЕНДЕР АРАСН ABL1P, ABL2P		

Evol.	Table	Date
1	2/2	06/07/2016

N.	Code	Features
1	C0007F342	/B
	C0007F343	/M
	C0004F360	/B (Stainless steel)
	C0004F361	/M (Stainless steel)
2	C0007F317A	
3	C0007F347A	
4	C0007F347	
5	C0007F304	
6	C0007F323	
7	C0007F305	/B
8	C0007F306	/M
9	C0007F321	
10	C0004F350	

